

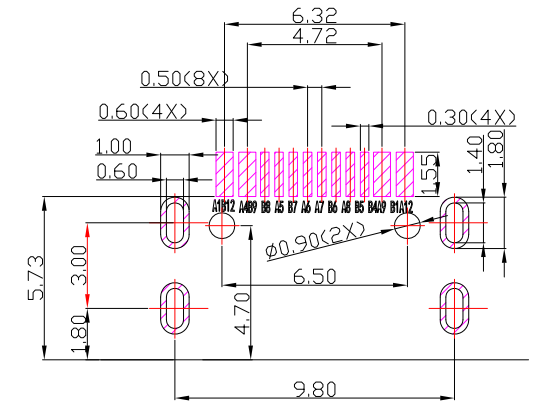
IPX7



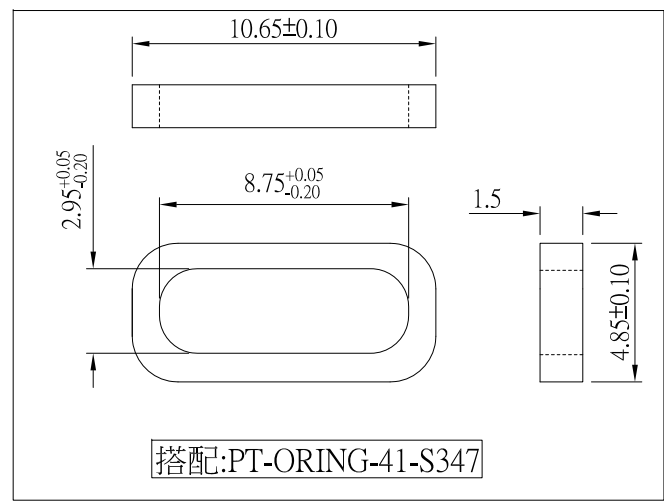
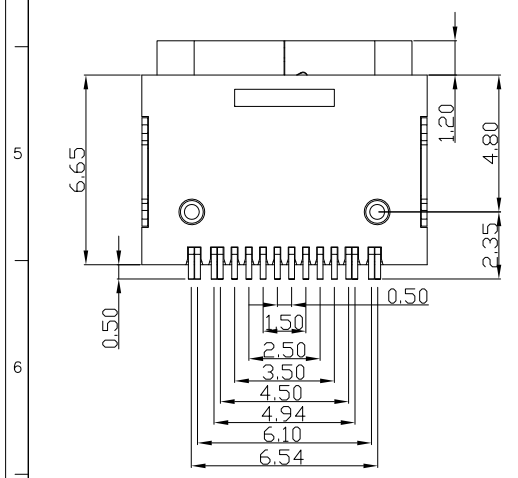
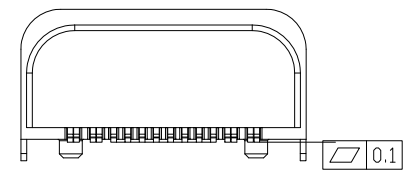
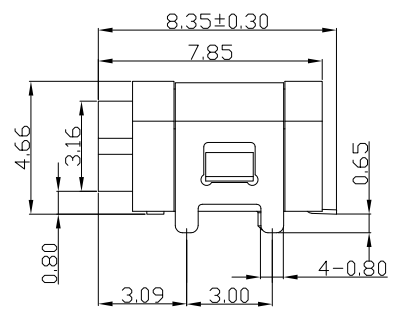
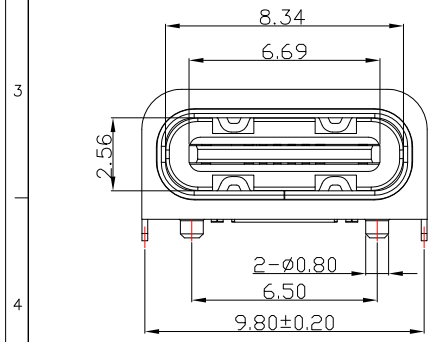
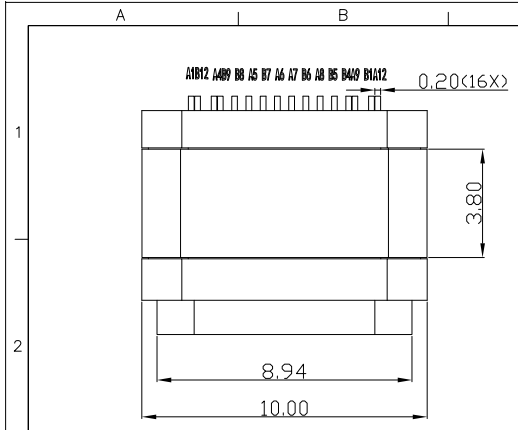
SBC-WP160S5-20x-S347

鍍層厚度：

Blank : 1u"
2 : 15u"
3 : 30u"



PCB LAYOUT



SPECIFICATIONS

Electrical:

- 1.Rating: 5.0 A
- 2.Contact Resistance: 40 mΩ Max
- 3.Insulation Resistance: 100 MΩ Min
- 4.Dielectric Withstand Voltage: 100V AC

Mechanical:

- 1.Connector Mate and Unmate Force
 - 1.1 Mate force: 5~20 N
 - 1.2 Unmate force: 8~20 N

Material:

- 1.Housing: LCP
- 2.Shell Housing: PA46
- 3.Contact: C7025
- 4.Shell: SUS

Finish:

- 1.Contact: Plated Gold in Mating Area ;
Gold Plated on Solder Balls ;
Nickel under plated overall
- 2.Shell: Nickel under Plated surface layer

CONTACT 建倚科技股份有限公司
CONTACT TECHNOLOGY CORP.

TOLERANCE UNLESS OTHERWISE STATED:	Up to 5 ±0.2	3RD. ANGEL'S	UNITS	MM
	Above 5 ~ 15 ±0.3			
	Above 15 ~ 30 ±0.4			
	Above 30 ~ 50 ±0.5			
	Angle ±0.3°			

DRAWN BY:	DATE	MAT'L	TITLE	CONNECTOR
Jack Lu	01/30/24			
CHECKED BY:	DATE	FINISH	MODLE	USB C TYPE 2.0 Female 防水型 防水型IPX7
Jacky Chen	01/30/24			
APPROVED BY:	DATE	SCALE	DWG NO.	SBC-WP160S5-20x-S347
Tony Kao	01/30/24	1 : 1	PART NO.	SBC-WP160S5-20x-S347
		SHEET NO.	1 of 1	SIZE A4
				VER R

ITEM NO.	DESCRIPTION	DRAWN	DATE